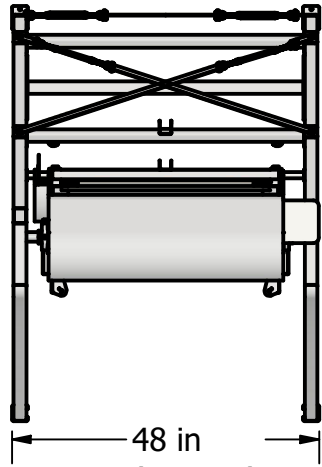
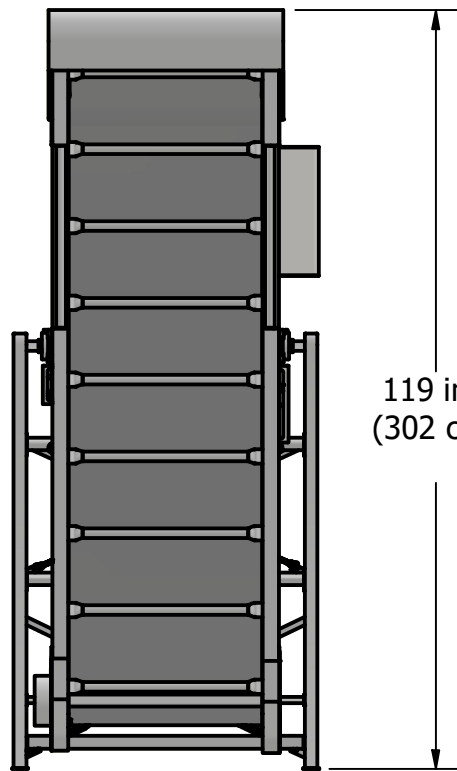


# LADDERMILL®-2



48 in  
(122 cm)

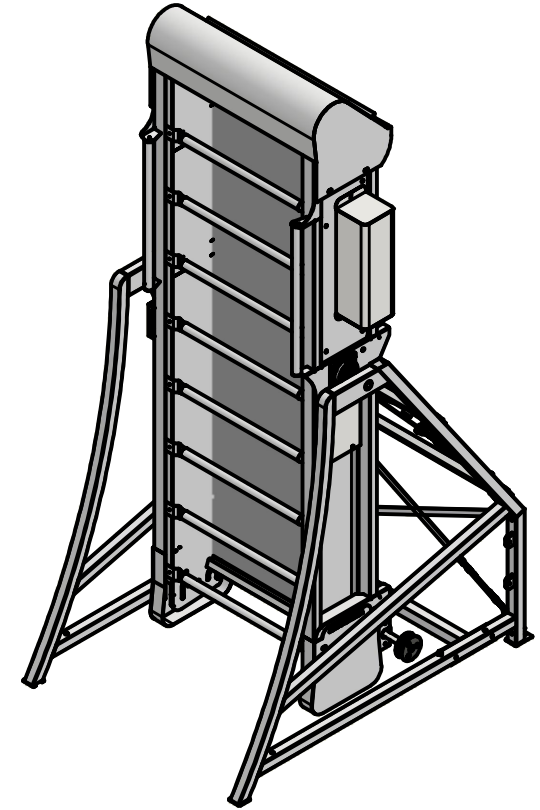
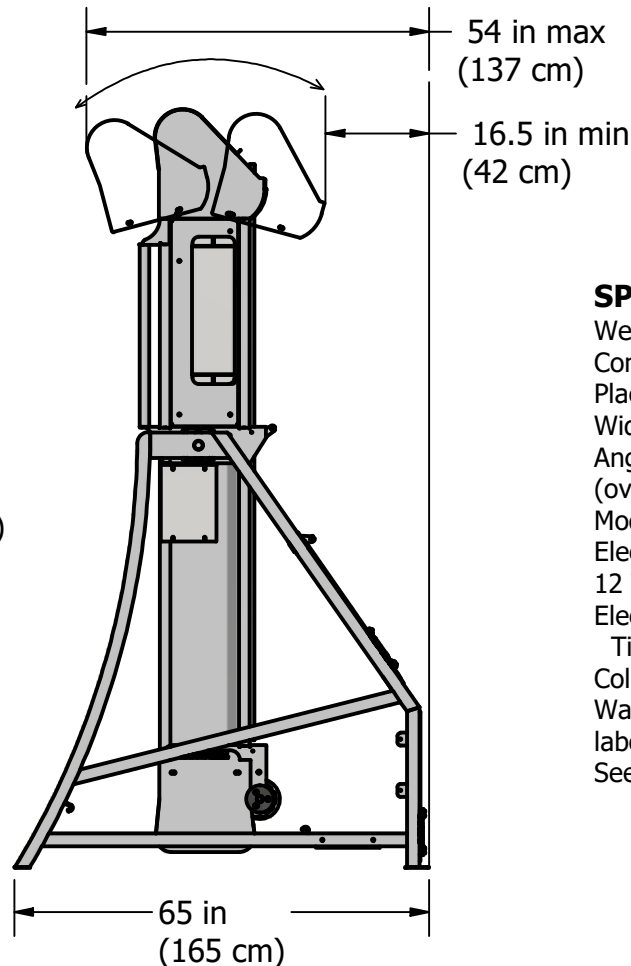


119 in  
(302 cm)

The Laddermill-2 offers users the freedom of vertical training with intuitive and approachable movement. The simple operation takes the user into their training zone in minutes in a unique and challenging full body workout.

The ladder's rotation is powered by the climber's weight - there are no electric motors. A lever easily adjusts resistance to fine tune climber speed. A simple auto-stop system brakes the ladder when the user's feet reach the bottom rung, matching the ladder's movement to the user. The ladder angle is adjustable through a large range of angles and can be quickly changed using a second lever.

A display that records time and distance quantifies the workout, with goal setting options. A small universal 12V plug-in transformer (supplied) that can be plugged into any outlet is needed for the display.



## SPECIFICATIONS:

Weight: 590 pounds (268 kg)

Construction: Steel framework with stainless steel rungs.

Placement: Indoor

Width of climbing rungs: 30 in (76 cm)

Angle range: positive 15 degrees to negative 15 degrees (overhanging).

Mode of control: Hydraulic braking and resistance.

Electrical requirements (Display only):

12 VDC Plug-in transformer, supplied

Electronic Display: Measures distance (feet or meters) and time.

Time and distance goals can be pre-set.

Color - frame: Anthracite Gray. Custom colors available.

Warranty: 6 years on structural parts, 1 year on electronics and labor.

See full warranty for details.