

LUBRICATING TREADWALL® CHANNELS

Parts and Tools Needed:

1. Spray can of good quality **dry lube** spray lubricant designed for dusty environments (i.e. any garage door lubricant, WD_40 Specialist dry lube spray, etc.)

Time: about 15 minutes

Procedure:

The Treadwall panels slide down channels that should be lubricated if operation becomes sluggish. Chalk dust is often an issue.

1. Dry lube spray lubricant is commonly available at auto supply and hardware stores. Make sure it includes the thin straw-like extension for the nozzle.
2. Lubricate all four channels: two in the front, two in the back. Each has a rear surface and a front surface.
3. Place paper towels underneath before spraying to catch drips.
4. To lubricate the rear surfaces (fig 1), put the nozzle into the gap between two panels and squirt a little bit of grease onto the rear channel surface.
5. To lubricate the front surfaces (fig 2), put the nozzle in between the panel and the front of the channel and squirt a little grease at the top and bottom corners of the panel. Just little squirt is plenty.
6. Rotate wall 4-5 revolutions when done.

Figures:

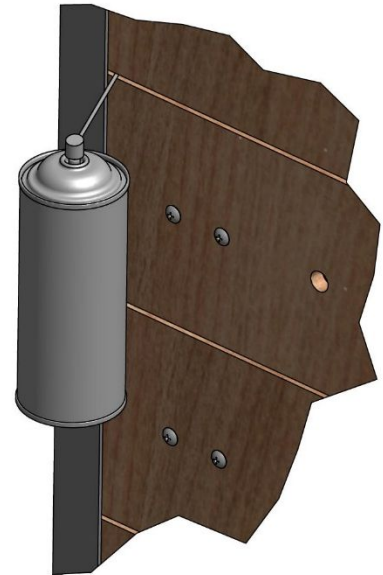


Fig 1: Rear surfaces

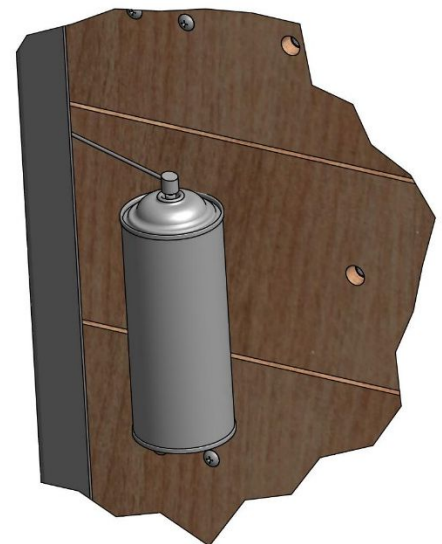


Fig 2: front surfaces